

# 5.25 Tube clip

## Product information

### Material

- PP = Polypropylene

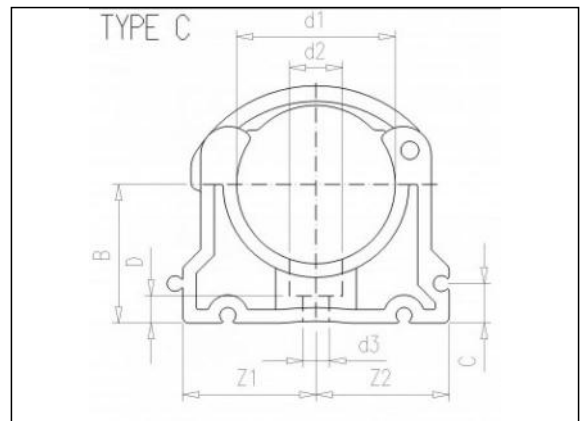
### Manufacture

- Injection moulded

## Parts



5.24 Filling block



## Available items

ART.CODE	d1	d2	d3	Z1	Z2	B	C	D	E	Type	Verp
5.25.010	10	8.3	4.5	11	13.5	20	10	6	12	A	500 (50x10)
5.25.012	12	8.3	4.5	11	13.5	20	10	6	12	A	500 (50x10)
5.25.016	16	10.5	5.5	14	16.5	23	10	6	16	B	400 (40x10)
5.25.020	20	10.5	5.5	16.5	19	25	10	6	16	B	400 (40x10)

### Van de Lande BV

Lissenveld 1 \ 4941 VK Raamsdonksveer \ The Netherlands \ t +31 (0)162 51 60 00 \ f +31 (0)162 52 14 17 \ sales@vandelande.com  
 Traderegister Tilburg: 18070844 \ IBAN: NL13 RABO 0143 0035 26 \ BIC: RABONL2U \ VAT: NL 8123.91.755.B01

ART.CODE	d1	d2	d3	Z1	Z2	B	C	D	E	Type	Verp
5.25.025	25	10.5	5.5	19	21.5	27.5	10	6	16	B	800 (80x10)
5.25.032	32	10.5	5.5	24	26.5	31	10	6	16	B	600 (60x10)
5.25.033	32	14	6.5	28.5	28.5	31	10	6.5	22	C	400 (40x10)
5.25.040	40	14	6.5	33.5	33.5	35	10	6.5	22	C	250 (25x10)
5.25.050	50	14	6.5	37	37	40	10	6.5	22	C	250 (25x10)
5.25.063	63	17	8.5	44.5	44.5	51.5	10	10	25	C	150 (15x10)
5.25.075	75	17	8.5	52	52	57.5	10	10	25	C	80 (8x10)
5.25.090	90	17	8.5	64.5	64.5	65	10	10	28	C	60 (6x10)
5.25.110	110	17	8.5	78	78	75	10	10	28	C	50 (5x10)
5.25.125	125	17	8.5	88	88	90	10	10	31.5	C	40 (54x10)
5.25.140	140	17	8.5	109	109	110	10	10	31.5	C	20 (2x10)
5.25.160	160	17	8.5	109	109	107.5	10	10	31.5	C	20 (2x10)

**Van de Lande BV**

Lissenveld 1 \ 4941 VK Raamsdonksveer \ The Netherlands \ t +31 (0)162 51 60 00 \ f +31 (0)162 52 14 17 \ sales@vandelande.com  
 Traderegister Tilburg: 18070844 \ IBAN: NL13 RABO 0143 0035 26 \ BIC: RABONL2U \ VAT: NL 8123.91.755.B01

[www.vandelande.com](http://www.vandelande.com)

All our transactions are subject to the Van de Lande General Terms of Sale. A copy of these can be provided immediately upon your request.