

1.05/1.06 Bend 90°

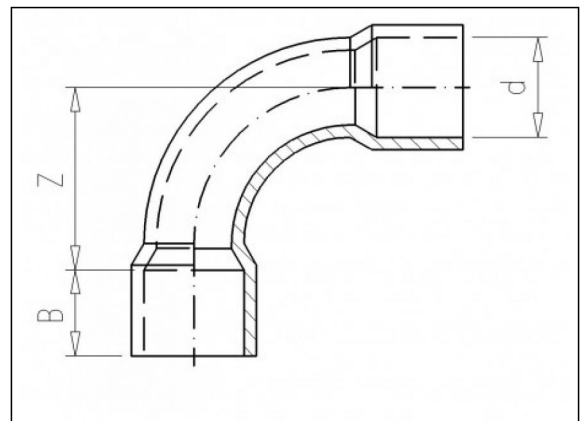
Product information

Material

- PVC-U = Unplasticised Polyvinylchloride

Manufacture

- Made of tube



Available items

ART.CODE	d	Z	B	PN	Verp
1.05.032	32	60	25	10	350
1.05.040	40	76	30	10	200
1.05.050	50	92	35	10	100
1.05.063	63	102	43	10	60
1.05.075	75	118	51	10	35
1.05.090	90	142	58	10	20
1.05.110	110	175	70	12.5	10
1.05.125	125	200	79	12.5	8
1.05.140	140	236	87	12.5	5

Van de Lande BV

Lissenveld 1 \ 4941 VK Raamsdonksveer \ The Netherlands \ t +31 (0)162 51 60 00 \ f +31 (0)162 52 14 17 \ sales@vandelande.com
Traderegister Tilburg: 18070844 \ IBAN: NL13 RABO 0143 0035 26 \ BIC: RABONL2U \ VAT: NL 8123.91.755.B01

All our transactions are subject to the Van de Lande General Terms of Sale. A copy of these can be provided immediately upon your request.

ART.CODE	d	Z	B	PN	Verp
1.05.160	160	260	99	12.5	4
1.05.200	200	330	122	125	1
1.05.225	225	380	137	12.5	1
1.05.250	250	390	151	12.5	1
1.05.280	280	480	168	12.5	1
1.05.315	315	625	188	12.5	1
1.06.032	32	60	25	16	175
1.06.040	40	76	30	16	100
1.06.050	50	92	35	16	80
1.06.063	63	102	43	16	45
1.06.075	75	118	51	16	25
1.06.090	90	142	58	16	15

Van de Lande BV

Lissenveld 1 \ 4941 VK Raamsdonksveer \ The Netherlands \ t +31 (0)162 51 60 00 \ f +31 (0)162 52 14 17 \ sales@vandelande.com
Traderegister Tilburg: 18070844 \ IBAN: NL13 RABO 0143 0035 26 \ BIC: RABONL2U \ VAT: NL 8123.91.755.B01

All our transactions are subject to the Van de Lande General Terms of Sale. A copy of these can be provided immediately upon your request.