

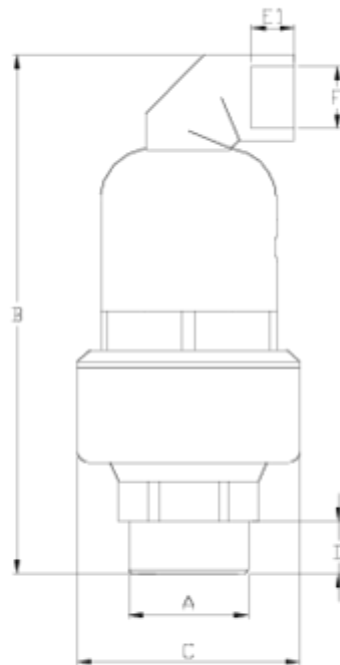


Net air release valve

Kinetic effect (C2) - PPGF ITEM 314

Ref.	Description	Net W.	Vol. (m ³)	Gross W.	Batch
1017006	V.NET E/CINETICO 2" (PPFV)	0.873	0.02244	5.73	6
1017007	V.NET E/CINETICO 3" (PPFV)	1.020	0.03129	6.70	6





ITEM 314 | Kinetic effect (C2) - PPGF

Código	f A	Peso (g)	B	C	D	E	F	Material	PN	TIPO ROSCA
17006	2"	1025	260	112	30	21	1"	PPFV	PN16	BSP
17007	3"	1065	260	112	33	21	1"	PPFV	PN16	BSP
17506	2"	1065	260	112	30	21	1"	PA	PN25	BSP
17507	3"	1105	260	112	33	21	1"	PA	PN25	BSP



PRODUCT DOCUMENTS



PRODUCT CERTIFICATES

COMPANY CERTIFICATES

